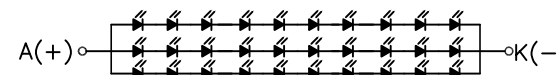
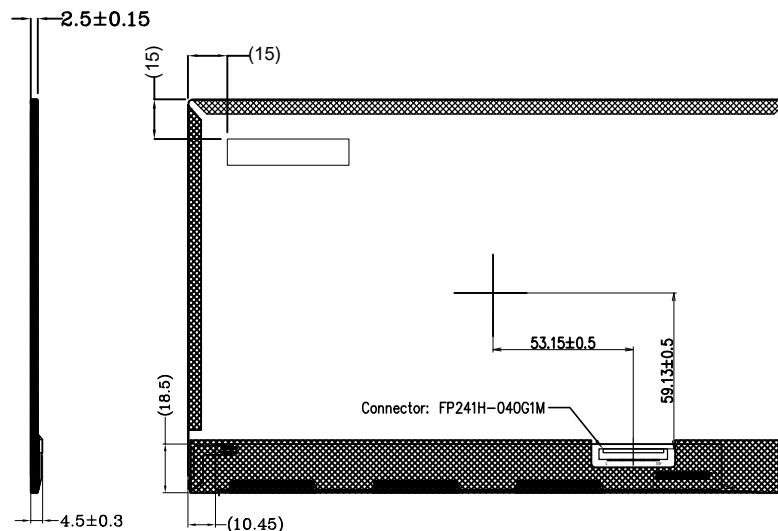
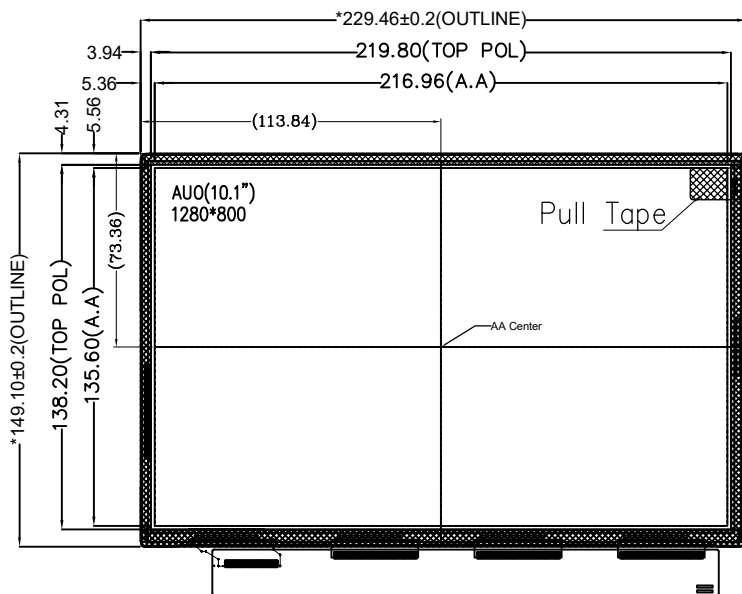


CUSTOMER

CUSTOMER'S CODE

RoHS



IF=60mA VF=28-34V(TYP.)

LED CIRCUIT DIAGRAM

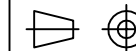
PIN ASSIGNMENT	
1.	NC
2.	VCCS
3.	VCCS
4.	NC
5.	NC
6.	NC
7.	NC
8.	Rxin0-
9.	Rxin0+
10.	GND
11.	Rxin1-
12.	Rxin1+
13.	GND
14.	Rxin2-
15.	Rxin2+
16.	GND
17.	RxCLK-
18.	RxCLK+
19.	GND
20.	Rxin3-
21.	Rxin3+
22.	GND
23.	NC
24.	NC
25.	GND
26.	NC
27.	NC
28.	GND
29.	NC
30.	NC
31.	LED-
32.	LED-
33.	LED-
34.	NC
35.	LED_PWR
36.	LED_EN
37.	NC
38.	LED_VCCS
39.	LED_VCCS
40.	LED_VCCS

Specification

- 1. Display mode: a-Si TFT / Normally White / IPS / TRANSMISSIVE
- 2. Viewing Direction: All O'clock      3. Power supply voltage: VDD=3.3V
- 4. Operating temp: -0°C to 50°C      , Storage temp: -20°C to 60°C
- 5. DRIVER IC.: \*\*\*
- 6. INTERFACE : LVDS Interface
- 7. BACKLIGHT: VF=31(TYP.) IF=60mA 30-chip White LED
- 8. Unspecified tolerance : ±0.20mm      9. LUMINANCE: 300 cd/m (Typ.)

CUSTOMER'S APPROVAL

SAZENTO



Mod.Name      SUY101002-128080

SCALE	SHEET
NTS	1/1

UNIT	SIZE	DESIGNER	CHECK	APPROVER	FILE NAME
mm	A4	Ken Lin	jack hu	Jason Lu	Count Dwg.