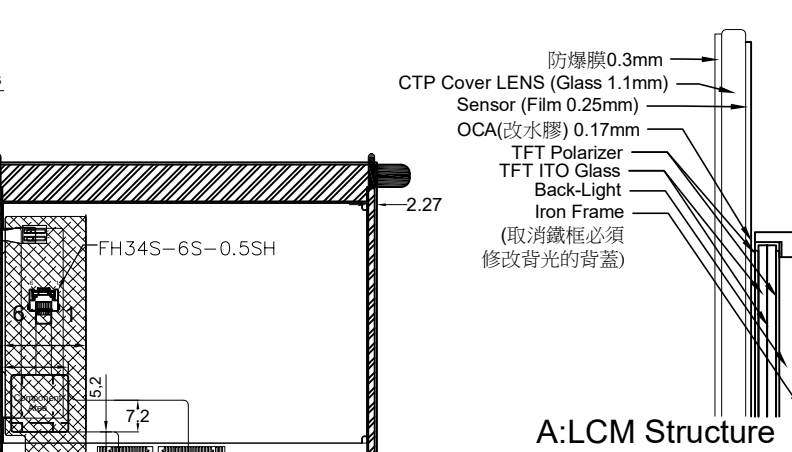
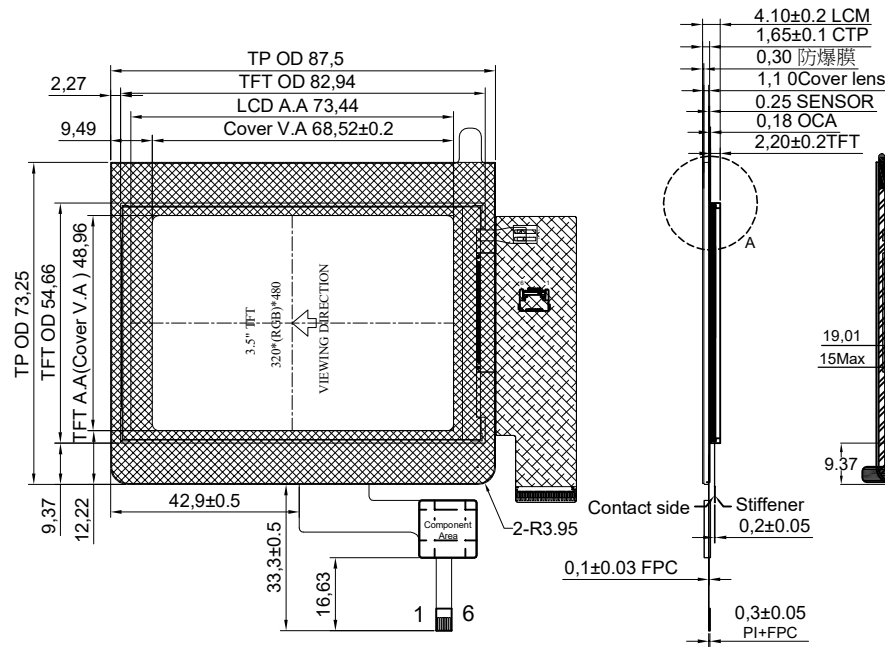


CUSTOMER

CUSTOMER'S CODE

RoHS



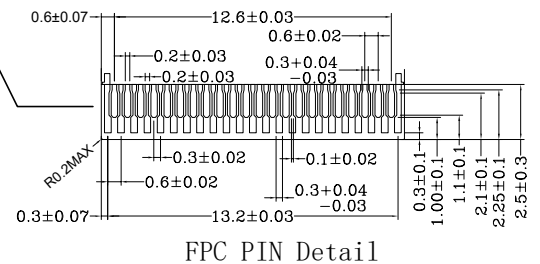
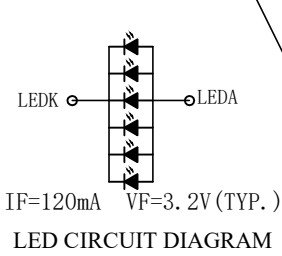
TFT PIN Description	
Pin No.	Symbol
1	GND
2	LED A
3	LED A
4	LED K
5	LED K
6	GND
7	GND
8	VCC
9	IOVCC
10	RESET
11	VSYN
12	HSYN
13	GND
14	DOTCLK
15	GND
16	DE
17	D17
18	D16
19	D15
20	D14
21	D13
22	D12
23	D11
24	D10
25	D9
26	D8
27	D7
28	D6
29	D5
30	D4
31	D3
32	D2
33	D1
34	D0
35	SDO
36	SDI
37	RDX
38	WRX/SCL
39	D/CX
40	CSX
41	TE
42	TP-RST
43	TP-INT
44	TP-SCL
45	TP-SDA

CTP PIN Description	
Pin No.	Symbol
1	VDD
2	RST
3	INT
4	SCL
5	SDA
6	GND

此填充区域为双面带胶泡棉区域 3M9495MP  
 T=0.15mm+PORON泡棉 T=0.4MM +3M9495MP T=0.15mm,  
 总厚度T=0.7mm双面带胶泡棉

CTP SPECIFICATION			
CTP Structure	Glass+Film	CTP Transmittance	≥86%
Cover Lens Material	康寧三代	Surface hardness	6H
LCM Resolution	320*480	Coordinate origin	Window top left
CTP Driver IC	FT6336U	Supply voltage	3.3V
I/O Port Voltage	3.3V	Communication	IIC
IIC Address	0X5D	IIC Communication speed	400Kbps
Reporting Frequency	60Hz	Interrupt trigger mode	Waveform drop
Storage Temp.	-30°C~80°C	Operating Temp.	-20°C~70°C
Unspecified tolerance	±0.2mm	Key	N.A.



Specification	
1.Display mode:	a-Si TFT / Normally White / TRANSMISSIVE
2.Viewing Direction:	6 O'clock
3.Power supply voltage:	Vdd=3.3V
4.Operating temp:	-20°C to 70°C
Storage temp:	-30°C to 80°C
5.INTERFACE :	3/4 wire SPI+16/18 bit RGB
6.BACKLIGHT:	VF=3.2V(TYP.) IF=120mA 6-chip White LED
7.DRIVER IC.:	ILI9488
8.Unspecified tolerance :	±0.20mm
9.Remark:	RoHS
10.LUMINANCE:	280 cd/m <sup>2</sup> (MIN.)

**CUSTOMER'S APPROVAL**

<b>SAZENTO</b>				
Mod.Name		SUY035010-032048		
UNIT	SIZE	DESIGNER	CHECK	APPROVER
mm	A4	Ken Lin	jack hu	Jason Lu

SCALE	SHEET
NTS	1/1
FILE NAME	
<b>Count Dwg.</b>	