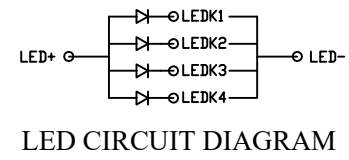
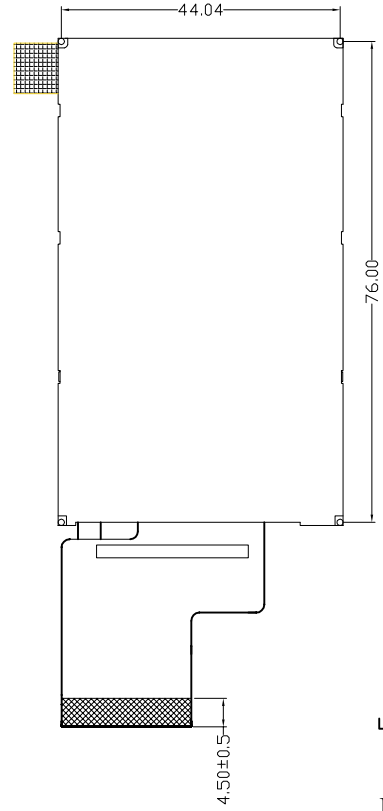
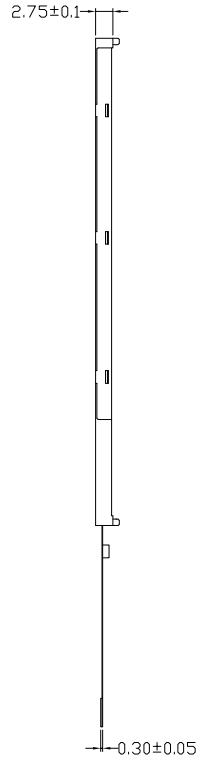
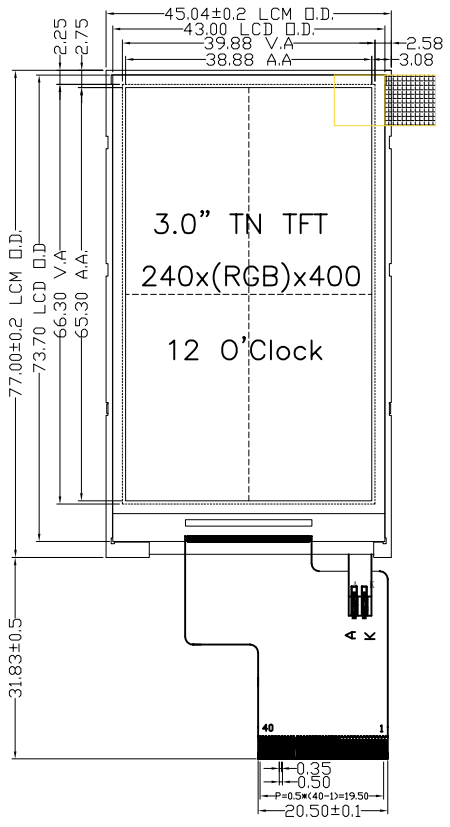


CUSTOMER

CUSTOMER'S CODE



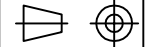
Pin	Symbol
1	A
2	K
3	VCC
4	IDVCC
5	NC
6	RESET
7	VSYNC
8	HSYNC
9	ENABLE
10	DOTCLK
11	GND
12	DB17
13	DB16
14	DB15
15	DB14
16	DB13
17	DB12
18	DB11
19	DB10
20	DB9
21	DB8
22	DB7
23	DB6
24	DB5
25	DB4
26	DB3
27	DB2
28	DB1
29	DB0
30	CS
31	RS
32	WRX_SCL
33	RDX
34	SDI
35	SDO
36	GND
37	YU
38	XL
39	YD
40	XR

Specification

- 1.Display mode: 3.0" TFT LCD, Transmissive
- 2.Viewing Direction: 12 O' clock
- 3.Back-Light: 4 CHIP-WHITE LED,IF=60mA,VF=3.2V (Patent LED)
- 4.Operating temp: -10°C to 60°C , Storage temp: -20°C to 70°C
- 5.IC NO. : ILI9327 6.LCM Luminance :Typ.240cd/m²
- 6.Unspecified tolerance : ±0.20mm
- 7.Remark: RoHS LCD NO.:

CUSTOMER'S APPROVAL

SAZENTO



Mod.Name SUY030001-024040

SCALE SHEET
NTS 1/1

UNIT	SIZE	DESIGNER	CHECK	APPROVER	FILE NAME
mm	A4	Ken Lin	jack hu	Jason Lu	Count Dwg.