

CUSTOMER

CUSTOMER'S CODE

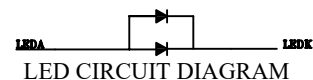
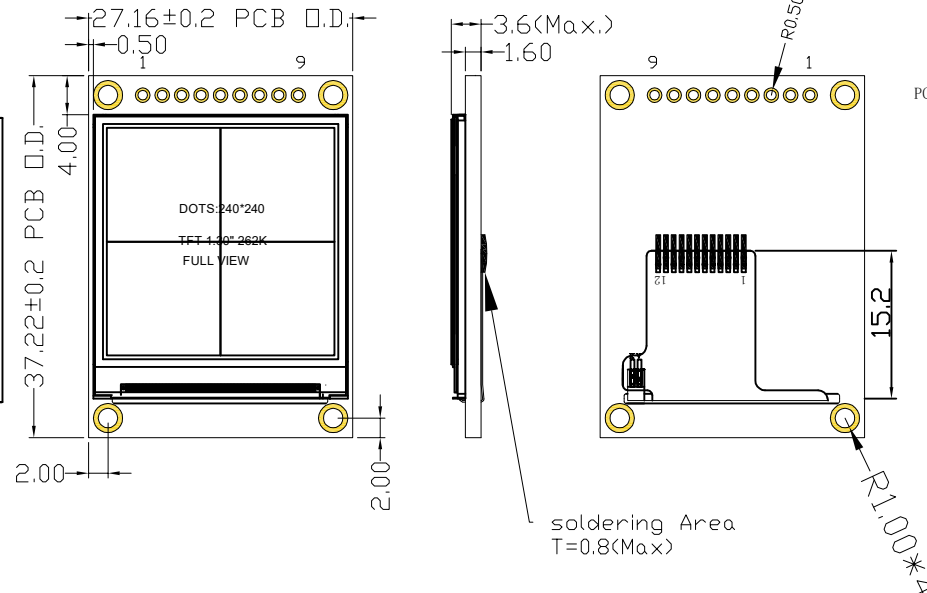
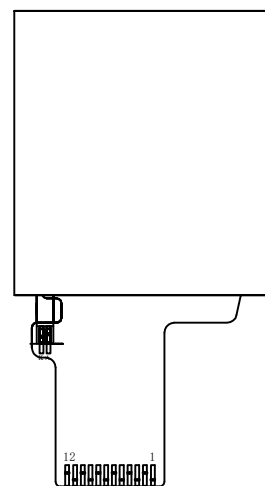
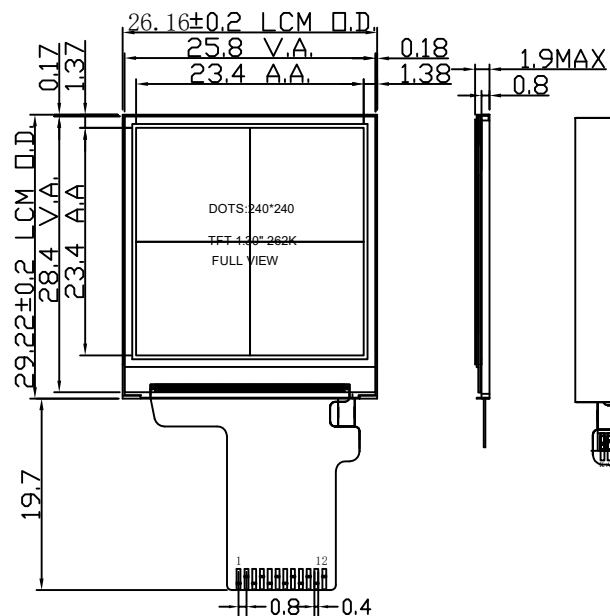
RoHS

FPC Pin Assignment

NO.	SYMBOL
1	LED-K
2	LED-A
3	GND
4	VDD
5	VDDI
6	CSX
7	RESX
8	SCL
9	SDA
10	GND
11	DC/X
12	GND

PCB Pin Assignment

NO.	SYMBOL
1	LED-A
2	GND
3	VDD
4	VDDI
5	CSX
6	RESX
7	SCL
8	SDA
9	DC/X



Specification

1. Display mode: 1.33" TFT LCD, Transmissive
2. Viewing Direction: All
3. Back-Light: 2 CHIP-WHITE LED, IF=30mA, VF=3.1V (Patent LED)
4. Operating temp: -20°C to 60°C , Storage temp: -30°C to 70°C
5. IC NO. : ST7789V 6. LCM Luminance : Typ.200cd/m²
6. Unspecified tolerance : ±0.20mm
7. Remark: RoHS LCD NO.:

CUSTOMER'S APPROVAL

SAZENTO



SCALE	SHEET
NTS	1/1

Mod.Name SUY013005-024024

UNIT	SIZE	DESIGNER	CHECK	APPROVER	FILE NAME
mm	A4	Ken Lin	jack hu	Jason Lu	Count Dwg.