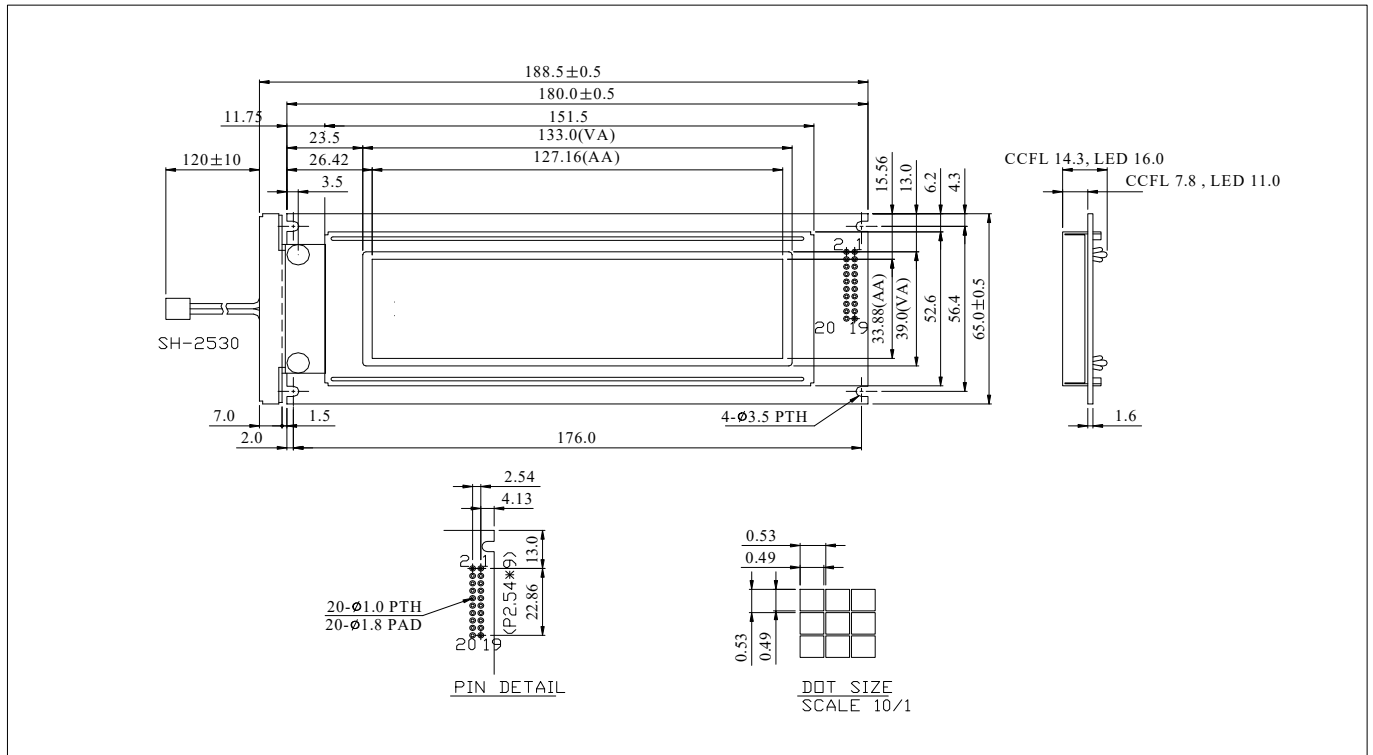


Dimension



FEATURE

- 1. 240*64 dots matrix
- 2. Logic Power +5v Input
- 3. Built in LC7981 Controller
- 4. 1/64 Duty signal scan
- 5. LED,CCFL, EL Backlight

INTERFACE FUNCTIONS

Pin NO	Symbol	Function
1	VSS	Logic Power GND
2	VDD	Logic Power +5V
3	V _o	LCD Operating Volt.
4	RS	Data/Command Select
5	R/W	Read/Write Signal
6	E	Enable Signal
7	DB0	Data Bus D0
8	DB1	Data Bus D1
9	DB2	Data Bus D2
10	DB3	Data Bus D3
11	DB4	Data Bus D4
12	DB5	Data Bus D5
13	DB6	Data Bus D6
14	DB7	Data Bus D7
15	/CS	Chip Select
16	/RST	Reset Signal
17	VEE	Negative Volt. Output
18	FGND	Frame Ground
19	A	LED B/L V+
20	K	LED B/L V-

MECHANICAL DATA		
Item	Standard Value	Unit
Module Dimension	188.5 * 65.0	mm
Viewing Area	133.0 * 39.0	mm
Dot Pitch	0.53 * 0.5	mm
Dot Size	0.49 * 0.49	mm

ABSOLUTE MAXIMUM RATING					
Item	Symbol	Standard Value			Unit
		min	typ	max	
Power Supply	VDD-VSS	2.8	5.0	5.5	V
Input Voltage	V _{IH}	0.7V _{DD}	V _{DD}	V _{DD} +0.3	V

ELECTRONICAL CHARACTERISTICS						
Item	Symbol	Condition	Standard Value			Unit
			min	typ	max	
Input Voltage	VDD	25°C	2.7	5.0	5.3	V
Supply Current	IDD	25°C	15.0	25.0	30.0	mA
LCD Driving Voltage for	VDD-V _O	-20°C	14.0	14.5	15.0	V
		0°C	13.0	13.5	14.0	
		25°C	12.0	12.5	13.0	
		50°C	11.0	11.5	12.0	
		70°C	10.0	10.5	11.0	
LED B/L	V _F /LED	25°C	4.0V/ 300mA	4.2V/ 450mA	4.5V/ 600mA	V/mA
CCFL B/L	V _F	25°C	300	350	400	V _{rms} / 40KHz