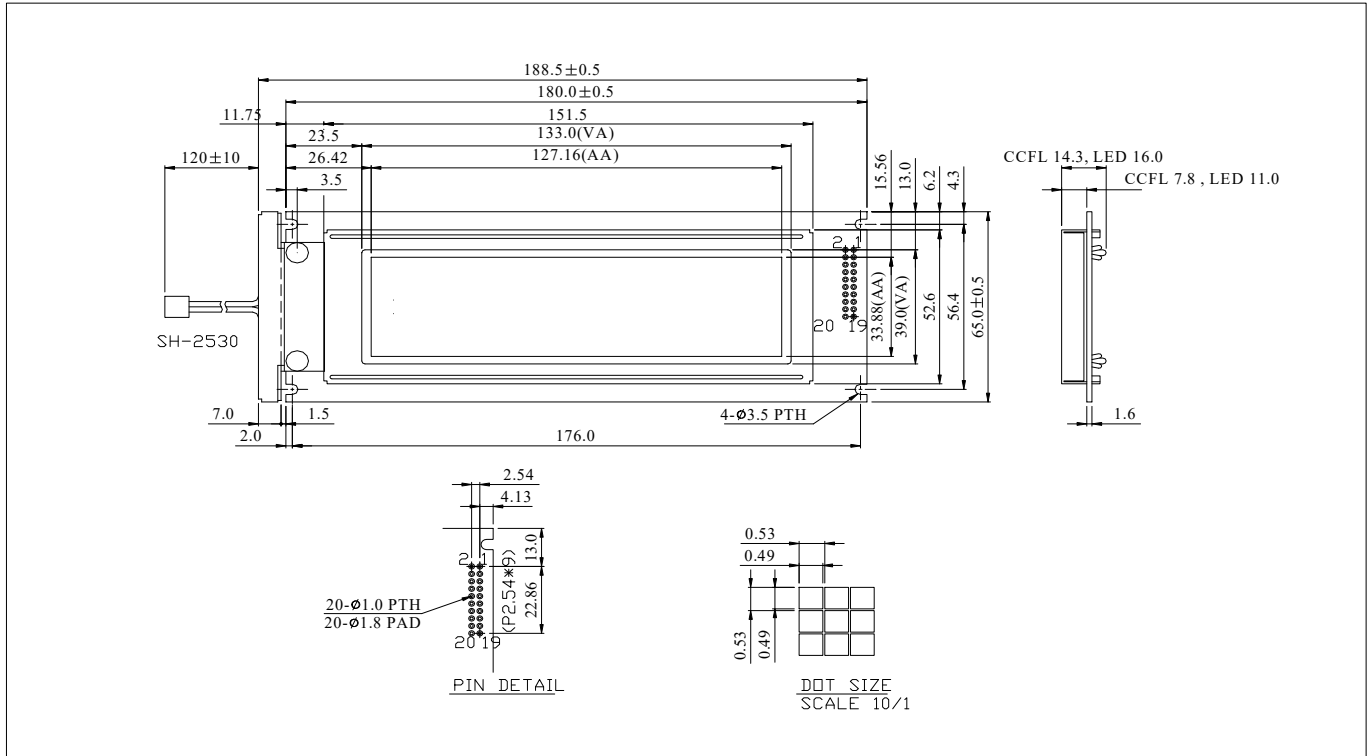


**Dimension**



**FEATURE**

1. 240\*64 dots matrix
2. Logic Power +5v(+3V) Input
3. Built in T6963(RAIO RA6963) Controller
4. 1/64 Duty signal scan
5. LED, EL Backlight

**INTERFACE FUNCTIONS**

Pin NO	Symbol	Function
1	FGND	Frame Ground
2	VSS	Logic Power GND
3	VDD	Logic Power +5V
4	V <sub>o</sub>	LCD Operating Volt.
5	/WR	Write Signal
6	/RD	Read Signal
7	/CE	Enable Signal
8	C/D	Command/Data Select
9	V <sub>out</sub>	Negative Volt. Output
10	/RST	Reset Signal
11	DB0	Data Bus D0
12	DB1	Data Bus D1
13	DB2	Data Bus D2
14	DB3	Data Bus D3
15	DB4	Data Bus D4
16	DB5	Data Bus D5
17	DB6	Data Bus D6
18	DB7	Data Bus D7
19	FS	6*8 or 8*8 Font Select
20	NC	

MECHANICAL DATA		
Item	Standard Value	Unit
Module Dimension	188.5 * 65.0	mm
Viewing Area	133.0 * 39.0	mm
Dot Pitch	0.53 * 0.5	mm
Dot Size	0.49 * 0.49	mm

ABSOLUTE MAXIMUM RATING					
Item	Symbol	Standard Value			Unit
		min	typ	max	
Power Supply	VDD-VSS	2.8	5.0	5.5	V
Input Voltage	V <sub>IH</sub>	0.7V <sub>dd</sub>	V <sub>dd</sub>	V <sub>dd</sub> +0.3	V

ELECTRONICAL CHARACTERISTICS						
Item	Symbol	Condition	Standard Value			Unit
			min	typ	max	
Input Voltage	VDD	25°C	2.7	5.0	5.3	V
Supply Current	IDD	25°C	15.0	25.0	30.0	mA
LCD Driving Voltage for	VDD-V <sub>O</sub>	-20°C	14.0	14.5	15.0	V
		0°C	13.0	13.5	14.0	
		25°C	12.0	12.5	13.0	
		50°C	11.0	11.5	12.0	
		70°C	10.0	10.5	11.0	
LED B/L	V <sub>F</sub> /LED	25°C	4.0V/ 300mA	4.2V/ 450mA	4.5V/ 600mA	V/mA
CCFL B/L	V <sub>F</sub>	25°C	300	350	400	V <sub>rms</sub> / 40KHz