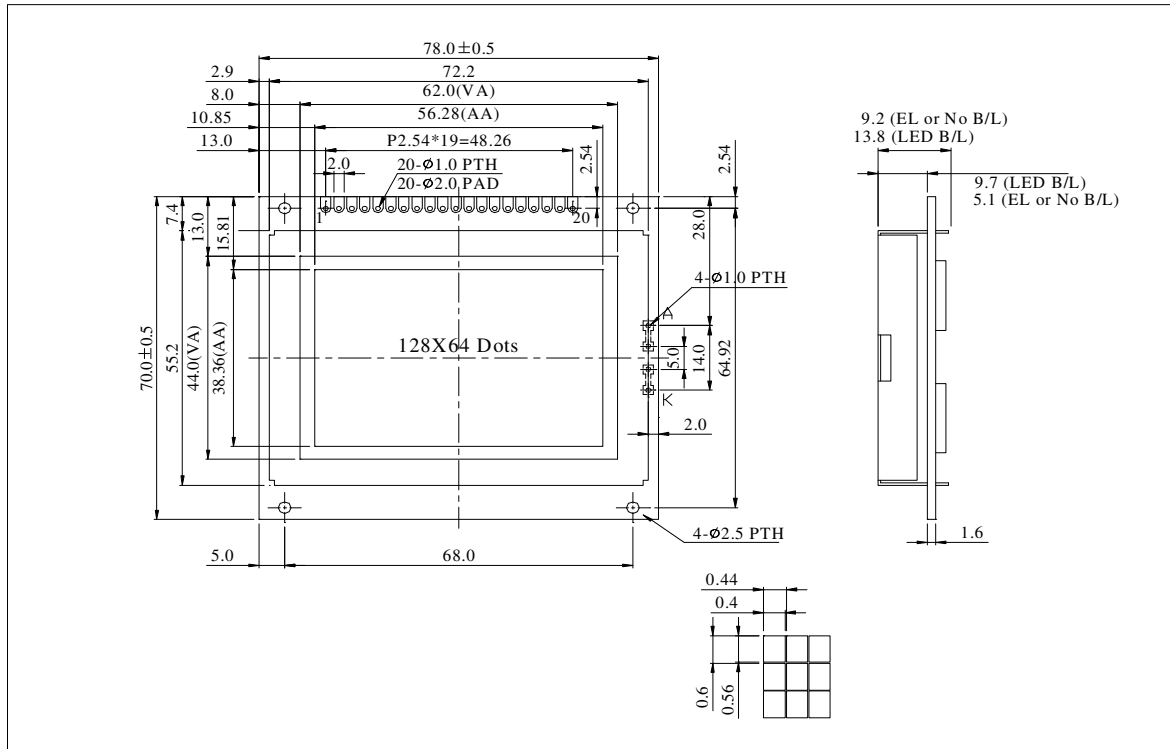


Dimension



FEATURE

1. 128*64 dots matrix
2. Logic Power +5v(+3V) Input
3. Built in T6963 Controller
4. 1/64 Duty signal scan

INTERFACE FUNCTIONS

Pin NO	Symbol	Function
1	FG	Frame Ground
2	VSS	Logic Power GND
3	VDD	Logic Power +5V
4	Vo	LCD Operating Volt.
5	/WR	Write Signal
6	/RD	Read Signal
7	/CE	Chip Select Signal
8	C/D	Command /Data Select
9	/RST	Reset Signal
10	DB0	Data Bus
11	DB1	Data Bus
12	DB2	Data Bus
13	DB3	Data Bus
14	DB4	Data Bus
15	DB5	Data Bus
16	DB6	Data Bus
17	DB7	Data Bus
18	FS	6*8 or 8*8 Font Select
19	K	LED Backlight V-
20	A	LED Backlight V+

MECHANICAL DATA		
Item	Standard Value	Unit
Module Dimension	78.0 * 70.0	mm
Viewing Area	62.0 * 44.0	mm
Dot Pitch	0.44 * 0.60	mm
Dot Size	0.40 * 0.56	mm

ABSOLUTE MAXIMUM RATING					
Item	Symbol	Standard Value			Unit
		min	typ	max	
Power Supply	VDD-VSS	2.5	5.0	5.5	V
Input Voltage	VIH	0.7Vdd	Vdd	Vdd+0.3	V

ELECTRONICAL CHARACTERISTICS						
Item	Symbol	Condition	Standard Value			Unit
			min	typ	max	
Input Voltage	VDD	25°C	2.7	5.0	5.3	V
Supply Current	IDD	25°C	15.0	25.0	30.0	mA
LCD Driving Voltage for	VDD-VO	-20°C	9.7	10.0	10.2	V
		0°C	9.2	9.5	9.7	
		25°C	8.8	9.0	9.2	
		50°C	8.2	8.5	8.7	
		70°C	7.5	8.0	8.2	
LED Forward Voltage	VF	25°C	4.0	4.2	4.5	V
LED Forward Current	IF	25°C	320	480	600	mA