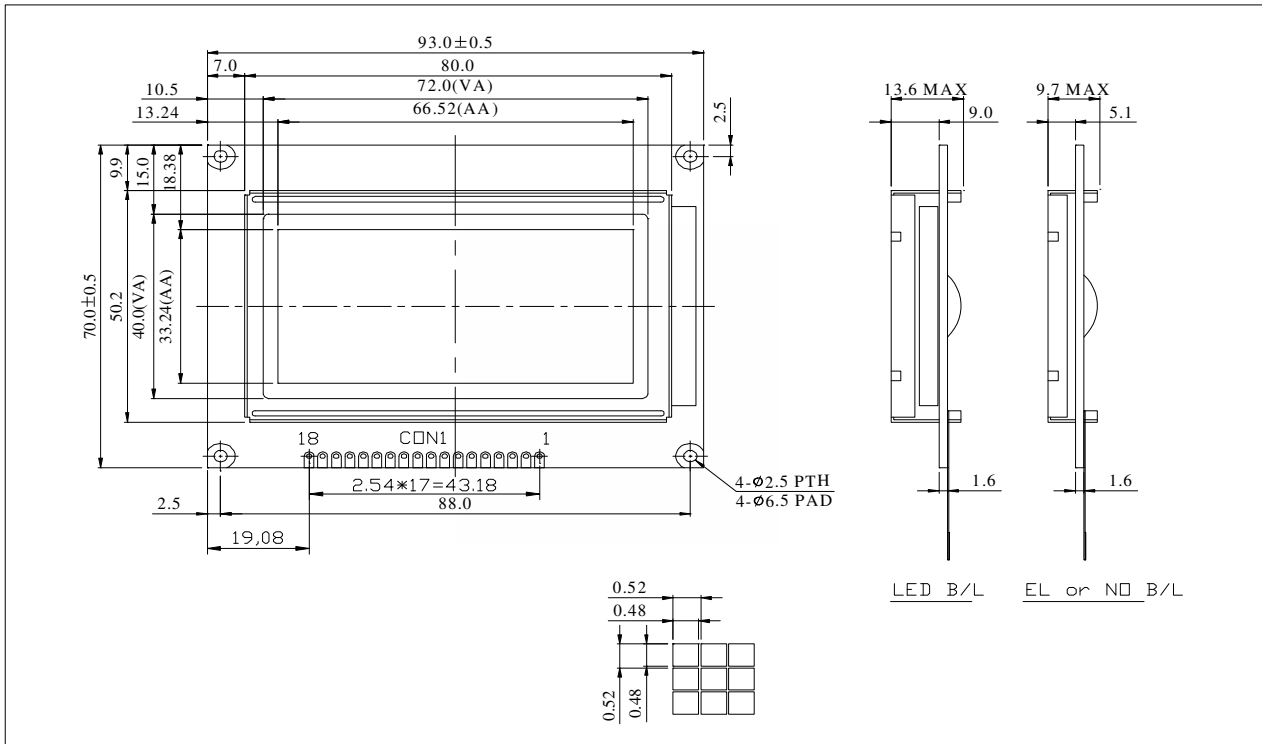


Dimension



FEATURE

1. 128*64 dots matrix ,with Chinese Character Font
2. Logic Power +5v(+3V) Input
3. Built in ST7920 Controller
4. 1/32 Duty signal scan

INTERFACE FUNCTIONS

Pin NO	Symbol	Function
1	VSS	Logic Power GND
2	VDD	Logic Power +5V
3	Vo	LCD Operating Volt.
4	RS	Data/Command Select
5	R/W	Read/Write
6	E	Enable Signal
7	DB0	Data Bus
8	DB1	Data Bus
9	DB2	Data Bus
10	DB3	Data Bus
11	DB4	Data Bus
12	DB5	Data Bus
13	DB6	Data Bus
14	DB7	Data Bus
15	A	LED Backlight V+
16	K	LED Backlight V-
17	/RST	Reset Signal
18	VEE	+10V Output For LCD Drive

MECHANICAL DATA		
Item	Standard Value	Unit
Module Dimension	93.0 * 70.0	mm
Viewing Area	72.0 * 40.0	mm
Dot Pitch	0.52 * 0.52	mm
Dot Size	0.48 * 0.48	mm

ABSOLUTE MAXIMUM RATING					
Item	Symbol	Standard Value			Unit
		min	typ	max	
Power Supply	VDD-VSS	2.5	5.0	5.5	V
Input Voltage	VIH	0.7Vdd	Vdd	Vdd+0.3	V

ELECTRONICAL CHARACTERISTICS						
Item	Symbol	Condition	Standard Value			Unit
			min	typ	max	
Input Voltage	VDD	25°C	2.7	5.0	5.3	V
Supply Current	IDD	25°C	7.0	10.0	12.0	mA
LCD Driving Voltage for	VO-VSS	-20°C	7.3	7.6	8.0	V
		0°C	6.8	7.0	7.3	
		25°C	6.4	6.6	6.8	
		50°C	6.0	6.3	6.5	
		70°C	5.5	5.8	6.0	
LED Forward Voltage	VF	25°C	4.0	4.2	4.5	V
LED Forward Current	IF	25°C	280	330	390	mA