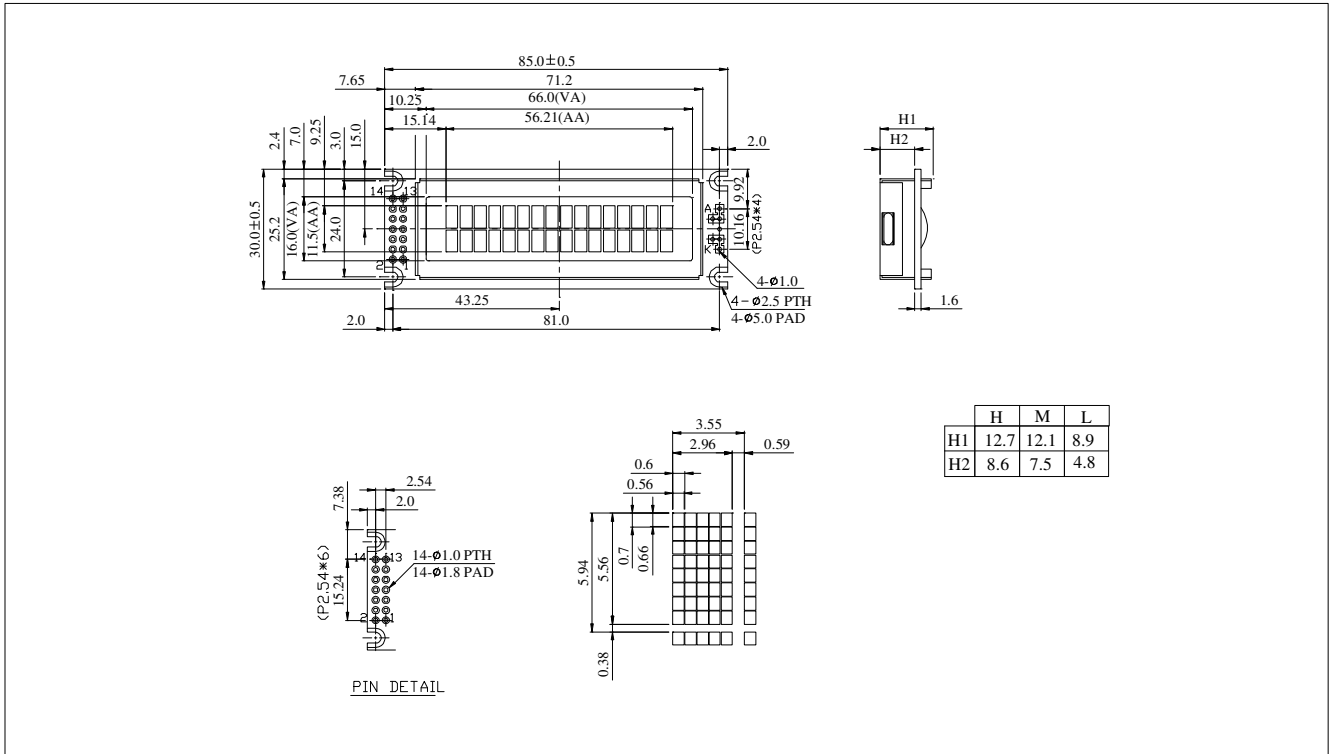


Dimension



FEATURE

1. 5X8 dots character
2. Logic Power +5v(+3V) Input
3. Built in ST7066U Controller
4. 1/16 Duty

| MECHANICAL DATA | | |
|------------------|----------------|------|
| Item | Standard Value | Unit |
| Module Dimension | 85.0 * 30.0 | mm |
| Viewing Area | 66.0 * 16.0 | mm |
| Character Size | 2.96 * 5.56 | mm |
| Dot Size | 0.56 * 0.66 | mm |

INTERFACE FUNCTIONS

| Pin NO | Symbol | Function |
|--------|--------|---------------------|
| 1 | VSS | 0V Logic GND |
| 2 | VDD | 5V Logic POWER |
| 3 | VO | LCD Operating Volt. |
| 4 | RS | Command/Data Select |
| 5 | RW | Read/Write |
| 6 | E | Enable |
| 7 | D0 | Data Bus |
| 8 | D1 | Data Bus |
| 9 | D2 | Data Bus |
| 10 | D3 | Data Bus |
| 11 | D4 | Data Bus |
| 12 | D5 | Data Bus |
| 13 | D6 | Data Bus |
| 14 | D7 | Data Bus |

| ABSOLUTE MAXIMUM RATING | | | | | |
|-------------------------|---------|----------------|-----|---------|------|
| Item | Symbol | Standard Value | | | Unit |
| | | min | typ | max | |
| Power Supply | VDD-VSS | 2.5 | 5.0 | 5.5 | V |
| Input Voltage | VIH | 0.7Vdd | Vdd | Vdd+0.3 | V |

| ELECTRONICAL CHARACTERISTICS | | | | | | |
|------------------------------|--------|-----------|----------------|-----|-----|------|
| Item | Symbol | Condition | Standard Value | | | Unit |
| | | | min | typ | max | |
| Input Voltage | VDD | 25°C | 2.7 | 5.0 | 5.3 | V |
| Supply Current | IDD | 25°C | 0.8 | 1.0 | 1.2 | mA |
| LCD Driving Voltage for | VDD-VO | -20°C | 4.6 | 4.8 | 5.0 | V |
| | | 0°C | 4.0 | 4.4 | 4.6 | |
| | | 25°C | 3.8 | 4.0 | 4.2 | |
| | | 50°C | 3.6 | 3.8 | 4.0 | |
| | | 70°C | 3.4 | 3.6 | 3.8 | |
| LED Forward Voltage | VF | 25°C | 4.0 | 4.2 | 4.5 | V |
| LED Forward Current | IF | 25°C | 80 | 110 | 130 | mA |